

BA590 series cluster lamps are solid state panel mounting indicators which offer a high reliability alternative to conventional panel lamps incorporating a filament bulb. Very low current consumption and a ten year life minimise maintenance costs by totally eliminating routine bulb replacement. Each BA590 contains a group of high efficiency light emitting diodes mounted behind a coloured diffuser to produce a bright, uniform output with a typical life greater than ten years. All BA590 models contain a 20mA current regulator which maintains constant brilliance over a wide range of supply voltages.

Five well defined colours - red, amber, green, blue and white comply with the indicator light colour requirements specified in IEC204-1, allowing all plant conditions to be annunciated.

IP65 sealing of the lens and the joint between the lamp and the panel makes the BA590 ideal for installations in areas that will be hosed, washed or splashed.

When environmental protection behind the panel is also required, an optional rear sealing assembly is available.

Mounting is via a single industry standard 22.5mm diameter hole. The lamp housing, fixing nut and terminals have a maximum diameter of 30mm which permits a very high packing density on the panel.

To aid identification from the rear of the panel, the model number and suffix which identifies the colour are marked on the lamp body close to the terminals.

Reliability is ensured by an ISO9001 approved quality control system supported by a three year guarantee.

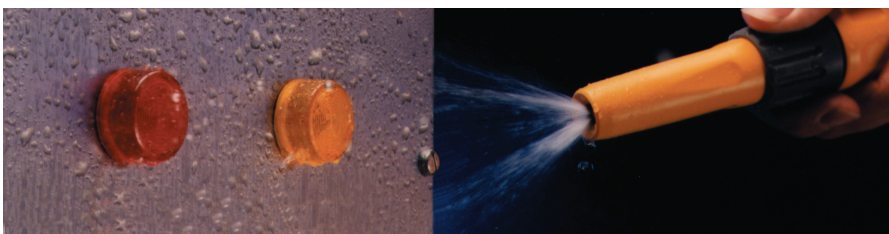
If flammable atmospheres are present the complementary BA390 or BA390S intrinsically safe cluster lamps should be used. These have the same features as the BA590 but have been certified for installation in all gas hazardous areas.

BA590

LED Cluster Lamp

General purpose

- ◆ Red, amber, green, blue & white models.
- ◆ Long life - typically more than 10 years.
- ◆ Low cost
- ◆ IP66 front
- ◆ 22.5mm hole mounting
- ◆ 3 year guarantee



BEKA

associates

Stockshed Limited. Mud Lane,
Eversley. Hampshire, RG27 0QS, U.K.
Tel. 0118 9734955
e-mail info@stockshed.com

SPECIFICATION

Power supply

Voltage	14 to 30V dc
Current	18 to 22mA
Reverse voltage	60V max

Output

Lamp colour	Typical at 150mm
Red	200 lux
Amber	280 lux
Green	280 lux
Blue	420 lux
White	240 lux

Environmental

Operating temperature	-20 to 60°C
Storage temperature	-40 to 60°C

Humidity	To 95% at 40°C non-condensing
----------	-------------------------------

Operating life	Typically 100,000 hours
----------------	-------------------------

Enclosure	Front IP66
	Rear IP20 - see accessories for optional IP65 rear sealing assembly.

EMC	In accordance with EU Directive 2004/108/EC
-----	---

Immunity	No degradation of brightness for 10V/m .
----------	--

Emissions	Electromagnetically benign.
-----------	-----------------------------

Mechanical

Terminals	Screw clamp for 1.5mm ² .
Lens material	Polycarbonate
Lamp body	Nylon 6
Weight	18g

HOW TO ORDER

Model number	Please specify	BA590
Colour	Red	Model suffix R
	Amber	Model suffix A
	Green	Model suffix G
	Blue	Model suffix B
	White	Model suffix W

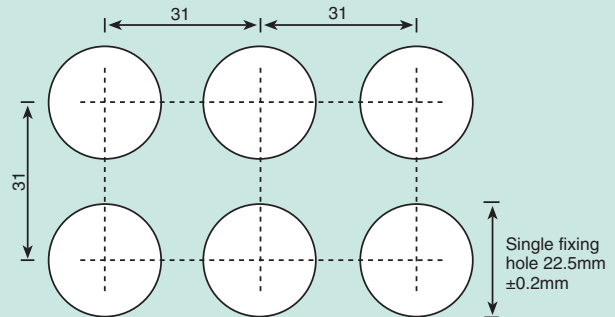
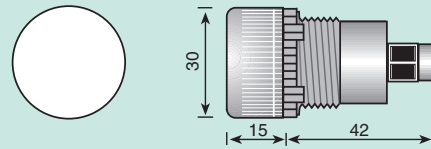
Accessories Please specify if required

Rear sealing assembly	BA599 provides IP65 protection for terminals and rear of the lamp. Supplied with gland for 7 to 12mm diameter cable.
-----------------------	--

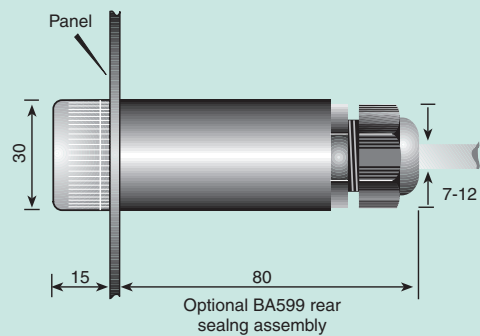
Example

Model and colour	BA590R
------------------	--------

DIMENSIONS (mm)



Fixing centres for maximum packing density. Special tool may be required to tighten fixing nuts when minimum spacing is used.



TERMINAL CONNECTIONS

