

The **BA334G** is a third generation intrinsically safe field mounting rate totaliser housed in a compact IP66 GRP enclosure. The totaliser is easy to use and can be configured on-site to operate with flowmeters having a magnetic pick-off, switch contact, proximity detector, open collector or a voltage pulse output. International intrinsic safety certification permits worldwide installation.

The **main application** of the BA334G is to process the pulse output from a hazardous area flowmeter such as a turbine meter and simultaneously display the rate and total flow in engineering units within the hazardous area. The BA334G will compensate for flowmeter nonlinearity using up to sixteen flowmeter K-factors which can be entered on-site.

**International intrinsic safety certification** allows the BA334G rate totaliser to be installed in gas and dust hazardous areas worldwide. When configured to operate with a flowmeter having a voltage or magnetic pick-off output, the input terminals comply with the requirements for *simple apparatus* reducing system design and documentation.

The **display** has high contrast and a wide viewing angle, enabling the rate totaliser to be read in most lighting conditions over a wide temperature range. Rate of flow may be displayed in almost any units of measurement per second, minute or hour. Total flow may be shown in the same or in different units and the total display may be reset using the front panel push buttons or an external contact closure.

**Display backlighting** which is internally powered from the totaliser, is available as a factory fitted option. It provides green background illumination enhancing daylight viewing and allowing the display to be easily read at night or when installed in a poorly illuminated area.

**IP66 protection** is provided by the robust GRP enclosure which has stainless steel fittings, a silicone gasket and an 8mm thick armoured glass window. Ingress and impact protection have been independently assessed by Intertek.

The **scale card** which shows the Rate Totaliser's units of measurement and tag information slides into an internal slot and can easily be changed on-site. New instruments are supplied with a printed scale card showing customer specified information, if this is not supplied a blank card is fitted which can easily be marked on-site. For applications requiring external marking an optional stainless steel legend plate is available.

The **isolated open collector pulse output** may be configured to synchronously retransmit the rate totaliser's pulse input, or a scaled pulse when the least significant digit of the total display is incremented.

An **optional isolated 4/20mA current sink** output, which has been certified as a separate intrinsically safe circuit complying with the requirements for *simple apparatus*, may be configured to produce an output proportional to any part of the rate or total display.

**Optional dual alarms** can switch hazardous area loads such as a sounder or solenoid valve, or safe area loads via a Zener barrier or galvanic isolator. The two isolated, solid state voltage free outputs may be independently conditioned as rate or total alarms with normally open or closed outputs. Annunciators on the BA334G display show the status of both alarm outputs.

**Other field mounting rate totalisers** include the BA334E which has the same functions as the BA334G, but incorporates a separate terminal compartment and supersedes the BA334D.

# BA334G

## one input rate totaliser

*Intrinsically safe for use in all gas & dust hazardous areas*

◆ **Configurable input:** magnetic pick-off, switch contact, proximity detector, open collector or voltage pulse.

◆ **Separate displays**

◆ **Intrinsically safe**

◆ **IP66 GRP enclosure**

◆ **Lineariser**

◆ **Isolated pulse output**

◆ **Simple on-site scale card installation.**

◆ **Optional:**  
Backlight  
Dual alarms  
4/20mA output

◆ **3 year guarantee**



# BEKA

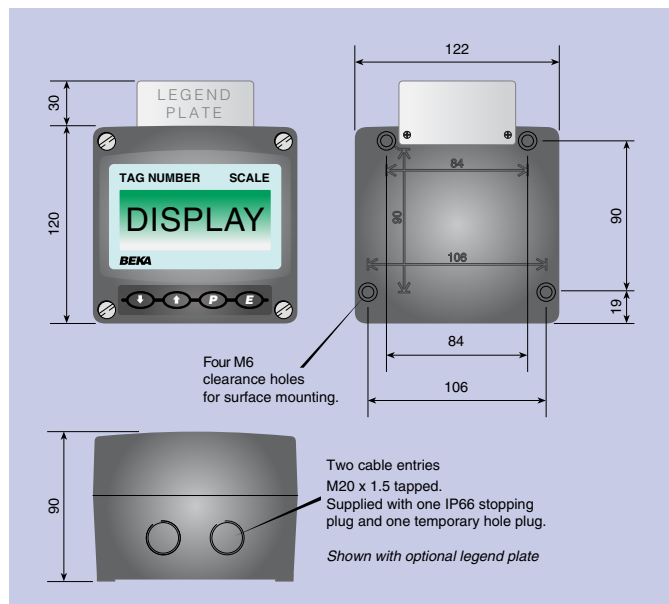
## associates

Sales & Support Distributor:-Stockshed Limited. Stonecroft House, Mud Lane, Eversley. Hampshire. RG27 0QS. U.K. Tel. (0118) 9734955 e-mail info@stockshed.com

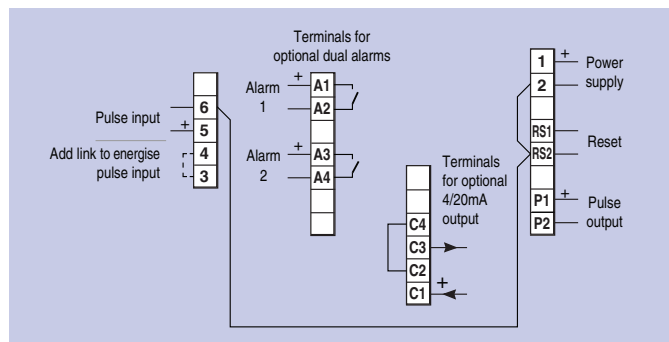
## SPECIFICATION

<b>Power supply</b>	
Voltage	10 to 28V from a Zener barrier or galvanic isolator
Current	16mA max plus 16mA for optional backlight
<b>Input</b>	
Switch contact	<b>Lower</b> 100Ω <b>Upper</b> 1kΩ
Proximity detector (NAMUR)	1.2mA      2.1mA
Open collector	2kΩ      10kΩ
Magnetic pick-off	0      +40mV
Voltage pulse (low)	1V      3V      28V max
Voltage pulse (high)	3V      10V      28V max
Frequency	
Switch contact	150Hz typical
Other inputs	100kHz max
All inputs	0.01Hz min
} <i>Depends upon pulse width and debounce setting.</i>	
<b>Display</b>	
Type	Liquid crystal
Zero blanking	Blanked apart from 0 in front of decimal point
Total #	8 digits 18mm high
Decimal point	1 of 7 positions or absent
Rate #	6 digits 12mm high
Decimal point	1 of 5 positions or absent
} <i>Rate &amp; Total can be shown on either 6 or 8 digit display</i>	
Grand total	Maximum count 10 <sup>16</sup>
<b>Remote reset</b>	Contact closure with resistance less than 10kΩ
<b>Pulse output</b>	
Frequency	Isolated open collector
	5kHz max, synchronous with input pulse, or when least significant digit of total display is incremented.
	Divisible with selectable width.
	1, 10, 100, 1000 or 10000
Divisible by	1, 10, 100, 1000 or 10000
Pulse width	0.1, 0.5, 1, 2.5, 5, 10, 25, 50, 100, 250 or 500ms
Ron	51Ω + 3V max
Roff	1MΩ min
I max	10mA
<b>Configurable functions</b>	
Rate scale factor	Adjustable between 0.0001 and 99999 pulses/unit vol.
Flowmeter K-factor	
Lineariser	16 K-factors may be entered
Rate timebase	Rate may be displayed per second, minute or hour
Rate display filter	Adjustable digital filter
Total scale factor	Adjustable between 0.0001 and 99999
<b>Intrinsic safety</b>	
<b>Europe ATEX</b>	
Code	Group II Category 1G Ex ia IIC T5 Ga
	-40 ≤ Ta ≤ 70°C
	Group II Category 1D Ex ia IIIC T80°C Da
	-40 ≤ Ta ≤ 60°C
Cert. No.	ITS16ATEX28408X
<b>International IECEx</b>	
Code	Ex ia IIC T5 Ga
	-40 ≤ Ta ≤ 70°C
	Ex ia IIIC T80°C Da
	-40 ≤ Ta ≤ 60°C
Cert. No	IECEx ITS 16.0004X
<b>ETL &amp; cETL</b>	
Code	Class I Div 1 Gp A, B, C, D T5
	Class II Div 1 Gp E, F, G Class III
	Class I Zone 0 AEx ia IIC T5 Ga
	Zone 20 AEx ia IIIC T80°C Da
	Ex ia IIC T5 Ga
	Ex ia IIIC T80°C Da
	-40°C ≤ Ta ≤ 70°C
	USA & Canada
	USA
	Canada
<b>Nonincendive USA &amp; Canada ETL &amp; cETL</b>	
Code	Class I Div 2 Gp A, B, C, D T5
	Class II Div 2 Gp F, G
	Class III Div 2
	-40°C ≤ Ta ≤ 70°C
ETL Control No.	4008610
<b>Environmental</b>	
Operating temp	-40 to +70°C display -20 to +70°C
Storage temp	-40 to +85°C
Humidity	to 95% at 40°C non condensing
Vibration	Report available
Enclosure	
Material	GRP
Ingress	IP66
EMC	Complies with 2014/30/EU
<b>Mechanical</b>	
Terminals	Screw clamp for 0.5 to 1.5mm <sup>2</sup>
Weight	1.1kg
<b>Accessories</b>	
Backlight	Green LED internally powered
4/20mA output	Isolated current sink
Voltage drop	5 to 28V
Dual alarms	Two alarms each of which may be independently configured as a rate or total, high or low alarm with a NO or NC output.
Outputs	Isolated single pole, voltage free solid state switch
Ron	5Ω + 0.7V max
Roff	1MΩ min

## DIMENSIONS (mm)



## TERMINAL CONNECTIONS



Scale card	Blank card fitted to all instruments. Can be supplied printed with specified units of measurement and tag information for no additional charge at time of purchase. #
Legend plate	316 Stainless steel plate laser engraved with tag number or application information attached to rear of the instrument, visible from the front. #
Pipe mounting kit	BA393G 316 stainless steel #
Panel mounting kits	BA394G 316 stainless steel not sealing # BA494G GRP sealing #

# See accessory datasheet for details

## HOW TO ORDER

Model number	<b>Please specify</b> BA334G
Input	Type *
Rate scale factor	XXXXX * <i>If linearisation is required, up to 16 rate scale factors may be entered for different flow rates.</i>
Rate timebase	Seconds, minutes or hours*
Total scale factor	XXXXX *
<b>Accessories</b>	
Display backlight	<b>Please specify if required</b> Backlight
4/20mA output	4/20mA output
Dual alarms	Alarms
Scale card marking	Legend required
Units	Legend required
Tag	<i>No charge if ordered with totaliser</i>
Stainless legend plate	Legend required
Pipe mounting kit	BA393G
Panel mounting kit	BA394G or BA494G

\* Totaliser can be supplied configured as required for no additional charge. If configuration information is not supplied, instrument will be configured for open collector input with rate and total scaling factors of 1.0 and a timebase of seconds with direct pulse retransmission. Can easily be reconfigured on-site.