

The **BA564G** is a third generation, field mounting two input counter housed in a compact IP66 GRP enclosure. The counter is easy to use and each input can be individually configured on-site to operate with sensors having a magnetic pick-off, switch contact, proximity detector, open collector or a voltage pulse output. Alternatively, the two counter inputs can be used for decoding the output from a quadrature position encoder.

**Any display application** requiring the sum or difference of pulse outputs from two sensors can be performed by the BA564G, such as counting the number of strokes performed by two reciprocating pumps and displaying total volume and rate of pumping in engineering units. The counter's quadrature decoder also enables the position of a shaft or a cable to be displayed together with its speed and direction of movement.

**The large display** has high contrast and a wide viewing angle, enabling the counter to be read in most lighting conditions over a wide temperature range. The total display may be shown in almost any engineering units and may be reset using the front panel push buttons or an external contact closure. Rate may be displayed in the same or different units of measurement per second, minute or hour.

**Display backlighting** which is internally powered from the counter is available as a factory fitted option. It provides green background

illumination enhancing daylight viewing and allowing the display to be easily read at night or when installed in a poorly illuminated area.

**The isolated open collector pulse output** may be configured to synchronously retransmit either pulse input, or a scaled pulse when the least significant digit of the total display is incremented.

**IP66 protection** is provided by the robust GRP enclosure which has stainless steel fittings, a silicone gasket and an 8mm thick armoured glass window. Ingress and impact protection have been independently assessed by Intertek.

**An optional isolated 4/20mA current sink** output may be configured to produce an output proportional to any part of the rate or total display.

**Optional dual alarms** with galvanically isolated solid state outputs can switch loads such as a sounder or solenoid valve. Both alarms may be independently configured as a rate or a total alarm monitoring either input, or the sum or difference of the two inputs. Annunciators on the BA564G display show the status of both alarm outputs.

**Panel mounting counters** with one and two inputs and a variety of display and enclosure sizes are also available, see BA567E, BA567E-SS and BA568E. Field and panel mounting models with similar specifications are available for hazardous area applications.

# BA564G

## two input counter

### General purpose

- ◆ **Configurable input:** magnetic pick-off, switch contact, proximity detector, open collector, voltage pulse or quadrature decoder.
- ◆ **Separate rate and total displays.**
- ◆ **IP66 GRP enclosure**
- ◆ **Isolated pulse output**
- ◆ **Simple on-site scale card installation.**
- ◆ **Optional:**  
Backlight  
Dual alarms  
4/20mA output
- ◆ **3 year guarantee**

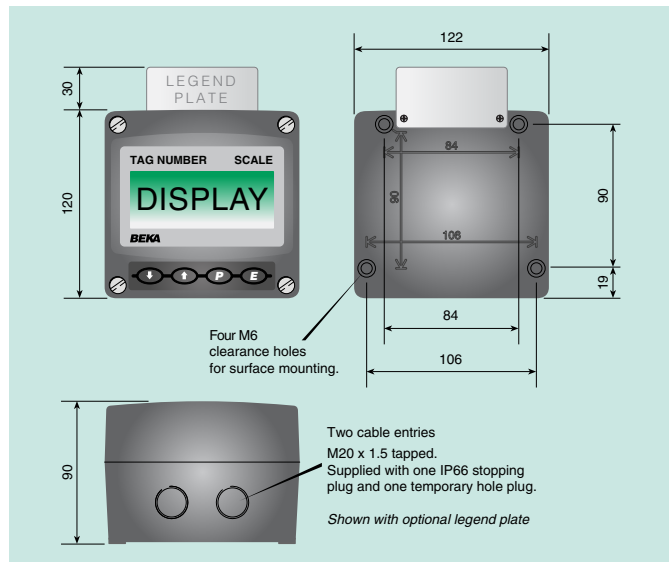


Sales & Support Distributor:-  
Stockshed Limited. Stonecroft House,  
Mud Lane, Eversley. Hampshire.  
RG27 0QS. U.K. Tel. (0118) 9734955  
e-mail info@stockshed.com

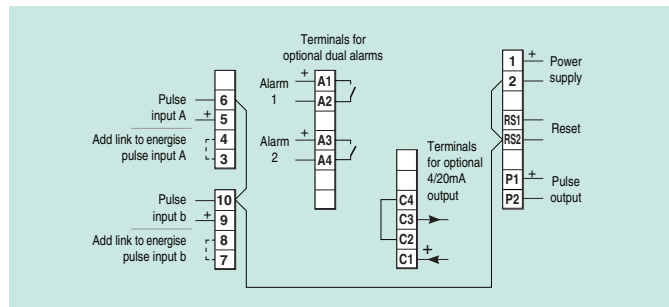
## SPECIFICATION

<b>Power supply</b>		
Voltage	10 to 30V dc	
Current	16mA max plus 16mA for optional backlight	
<b>Input</b>		
	<b>Lower</b>	<b>Upper</b>
Switch contact	100Ω	1kΩ
Proximity detector (NAMUR)	1.2mA	2.1mA
Open collector	2kΩ	10kΩ
Magnetic pick-off	0	+40mV
Voltage pulse (low)	1V	3V 30V max
Voltage pulse (high)	3V	10V 30V max
<b>Frequency</b>		
Switch contact	150Hz typical	
Other inputs	100kHz max	
All inputs	0.01Hz min	
<b>Display</b>		
Type	Liquid crystal	
Zero blanking	Blanked apart from 0 in front of decimal point	
Total ‡	8 digits 18mm high	
Decimal point	1 of 5 positions or absent	
Rate ‡	6 digits 12mm high	
Decimal point	1 of 4 positions or absent	
‡ Rate & Total can be shown on either 6 or 8 digit display		
Grand total	Maximum count 10 <sup>16</sup>	
<b>Remote reset</b>	Contact closure with resistance less than 10kΩ	
<b>Pulse output</b>		
Source and output	Isolated open collector	
	Either input, synchronous pulse output 5kHz max.	
	or	
	Least significant digit of total display output divisible by 1, 10, 100, 1000 or 10000	
	Pulse width definable as 0.1, 0.5, 1, 2.5, 5, 10, 25, 50, 100, 250 or 500ms.	
Ron	51Ω + 3V max	
Roff	1MΩ min	
Vmax	30V dc	
I max	10mA	
<b>Configurable functions</b>		
Each input individually configurable		
Input function	Input A + b: Input A – b: Input A direction controlled by input b or quadrature input (Inputs 90° out of phase).	
Total scale factor	Adjustable between 0.0001 and 99999	
Rate scale factor	Adjustable between 0.0001 and 99999	
Rate timebase	Rate may be displayed per second, minute or hour.	
Rate display filter	Adjustable digital filter	
<b>Environmental</b>		
Operating temp	-40 to +70°C display -20 to +70°C	
Storage temp	-40 to +85°C	
Humidity	to 95% at 40°C non condensing	
Vibration	Report available	
Enclosure		
Material	GRP	
Ingress	IP66	
EMC	Complies with 2014/30/EU	
<b>Mechanical</b>		
Terminals	Screw clamp for 0.5 to 1.5mm <sup>2</sup>	
Weight	1.1kg	
<b>Accessories</b>		
Backlight	Green LED internally powered	
4/20mA output	Isolated current sink.	
Voltage drop	5 to 30V	
Dual alarms	Two alarms each of which may be independently configured as a rate or total, high or low alarm with a NO or NC output.	
Outputs	Isolated single pole, voltage free solid state switch.	
Ron	5Ω + 0.7V max	
Roff	1MΩ min	
Vmax	30V dc	
I max	200mA	
Scale card	Blank card fitted to all instruments. Can be supplied printed with specified units of measurement and tag information for no additional charge at time of purchase. #	

## DIMENSIONS (mm)



## TERMINAL CONNECTIONS



Legend plate	316 stainless steel plate laser engraved with tag number or application information attached to rear of the instrument, visible from the front. #
Pipe mounting kit	BA393G 316 stainless steel #
Panel mounting kits	BA394G 316 stainless steel not sealing # BA494G GRP sealing #

# See accessory datasheet for details

## HOW TO ORDER

Model number	BA564G
Input function	Input A + b: Input A – b: Input A direction controlled by input b or quadrature input (Inputs 90° out of phase). *
Input	Type *
Total scale factor	XXXXX *
Rate scale factor	XXXXX *
Rate timebase	Seconds, minutes or hours*
<b>Accessories</b>	
Display backlight	Backlight
4/20mA output	4/20mA output
Dual alarms	Alarms
Scale card marking	Legend required
Units	Legend required
Tag	No charge if ordered with counter
Stainless legend plate	Legend required
Pipe mounting kit	BA393G
Panel mounting kit	BA394G or BA494G

\* Counter can be supplied configured as required for no additional charge. If configuration information is not supplied, instrument will be configured for Input A + b, open collector inputs with rate and total scaling factors of 1.0 and a timebase of seconds with direct pulse retransmission. Can easily be reconfigured on-site.