

The BA567E-SS is a one input general purpose counter housed in a 316 stainless steel enclosure with a 10mm thick toughened glass window. The instrument has IP66 front of panel protection and is suitable for use in hostile and marine environments, or where the front of the instrument is likely to be impacted. The counter is easy to use and can be configured on-site to operate with a magnetic pick-off, switch contact, proximity detector, open collector or a voltage pulse sensor. A slide-in scale card shows the units of measurement.

Main application of the BA567E-SS is to count the number of pulses received from a process area sensor such as a 2-wire proximity detector and simultaneously display the rate and total number in engineering units within the process area.

The display has high contrast and a wide viewing angle enabling the counter to be read in most lighting conditions over a wide temperature range. The total number of pulses may be scaled and displayed in almost any units to represent the engineering variable being counted. The total display may be reset using the front panel push buttons or an external contact closure. The pulse rate may be shown in the same or different units per second, minute or hour.

Display backlighting which is internally powered from the counter is available as a factory fitted option. It provides green background illumination enhancing daylight viewing and allowing the display to be easily read at night or when installed in a poorly illuminated area.

One of the following three isolated outputs may be fitted to a BA567E-SS counter. All are factory fitted options.

Optional open collector pulse output will synchronously retransmit the counter input pulse, or a pulse when the least significant digit of the total display is incremented.

Optional 4/20mA current sink output may be configured to produce an analogue output proportional to any part of the total or rate display,

Optional dual alarms can switch loads such as a sounder or solenoid valve. The two galvanically isolated, solid state, voltage free outputs may be independently conditioned as rate or total alarms with normally open or closed outputs. Annunciators on the BA567E-SS display show the status of both alarm outputs.

For less hostile environments the BA567E is identical to the BA567E-SS except that it is housed in a Noryl enclosure also providing IP66 front of panel protection.

The BA568E is a two input counter with a larger display in a 144 x 72mm DIN enclosure. Both inputs can be displayed separately and, depending upon the configuration, their sum or difference can also be shown.

For applications in flammable atmospheres the BA367E-SS, which is identical to the BA567E-SS, has international intrinsic safety certification. The BA367NE has Ex nA and Ex tc approval allowing use in Zone 2 or 22 without Zener barriers or galvanic isolators.

BA567E-SS

Rugged one input counter

General purpose

- ◆ 105 x 60mm rugged 316 stainless steel enclosure with IP66 front protection.
- ◆ Configurable input: magnetic pick-off, switch contact, proximity detector, open collector or voltage pulse.
- ◆ Separate rate and total displays.
- ◆ Simple on-site scale card installation.
- ◆ Optional: Backlight dual alarms or 4/20mA output or pulse output
- ◆ 3 year guarantee

BEKA
associates

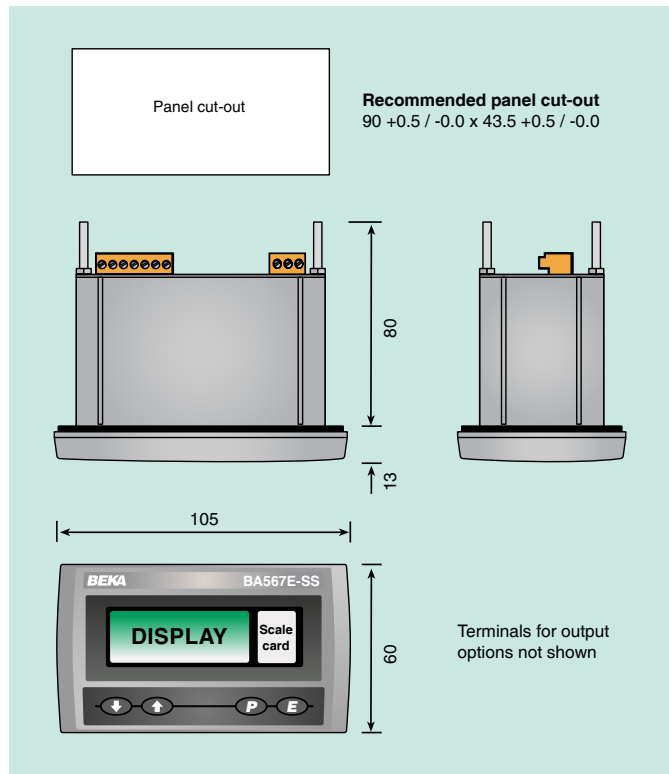
Sales & Support Distributor:-
Stockshed Limited. Stoneycroft House,
Mud Lane, Eversley. Hampshire.
RG27 0QS. U.K. Tel. (0118) 9734955
e-mail info@stockshed.com

SPECIFICATION

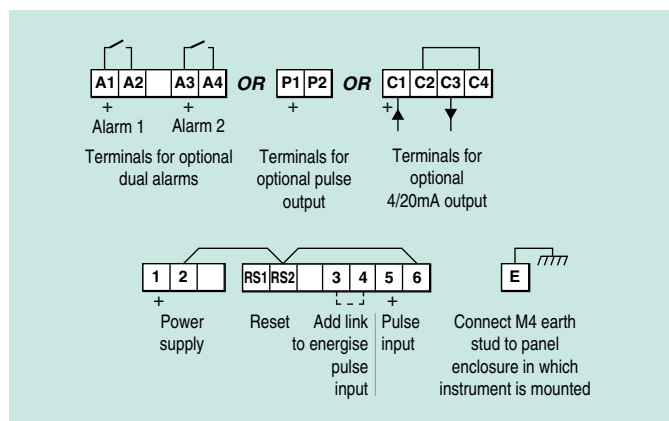
Power supply	
Voltage	10 to 30V dc
Current	16mA max plus 22.5mA for optional backlight
Input	
	Lower Upper switching thresholds
Switch contact	100Ω 1kΩ
Proximity detector (NAMUR)	1.2mA 2.1mA
Open collector	2kΩ 10kΩ
Magnetic pick-off	0 +40mV
Voltage pulse (low)	1V 3V 30V max
Voltage pulse (high)	3V 10V 30V max
Frequency	
Switch contact	150Hz typical
Other inputs	100kHz max
All inputs	0.01Hz min
Display	
Type	Liquid crystal
Zero blanking	Blanked apart from 0 in front of decimal point
Total ‡	8 digits 9mm high
Decimal point	1 of 7 positions or absent
Rate ‡	6 digits 6mm high
Decimal point	1 of 4 positions or absent
‡ Rate & Total can be shown on either 6 or 8 digit display	
Grand total	Maximum count 10 ¹⁶
Remote reset	
	Contact closure with resistance less than 10kΩ
Configurable functions	
Total scale factor	Adjustable between 0.0001 and 99999
Rate scale factor	Adjustable between 0.0001 and 99999
Rate timebase	Rate may be displayed per second, minute or hour.
Rate display filter	Adjustable digital filter
Environmental	
Operating temp	-40 to +70°C display -20 to +70°C
Storage temp	-40 to +85°C
Humidity	To 95% at 40°C non condensing
Vibration	Report available
Enclosure	
Material	BS 3146-2:1977 ANC4B (316)
Ingress	Front IP66, rear IP20
EMC	Complies with 2014/30/EU
Mechanical	
Terminals	Screw clamp for 0.5 to 1.5mm ² cable, removable
Weight	0.85kg
Accessories	
Backlight	Green LED internally powered
Scale card	Blank card fitted to all instruments. Can be supplied printed with specified units of measurement for no additional charge at time of purchase. #
Tag legend	Specified tag number or application laser etched onto rear of instrument. #
BA495 rear cover and sealing kit	Provides impact and IP66 protection for rear of instrument. #
One of the following three output accessories may be factory fitted to each counter. All have isolated outputs.	
Pulse output	Isolated open collector
Source & output	Counter input: synchronous pulse output, 5kHz max. or Least significant digit of total display divisible by: 1, 10, 100, 1000 or 10000 Pulse width definable as: 0.1, 0.5, 1, 2.5, 5, 10, 25, 50, 100, 250 or 500ms. 51Ω + 3V max
Ron	1MΩ min
Roff	10mA
I max	
4/20mA output	Isolated current sink
Source	Rate or total
Voltage	5 to 30V
Dual alarms	Two alarms each of which may be independently configured as a rate or total, high or low alarm with a NO or NC output.
Outputs	Isolated single pole, voltage free solid state switch
Ron	5Ω + 0.7V max
Roff	1MΩ min
V max	30V dc
I max	200mA

See accessory datasheet for details

DIMENSIONS (mm)



TERMINAL CONNECTIONS



HOW TO ORDER

Model number	Please specify BA567E-SS
Input	Type *
Total scale factor	XXXXX *
Rate scale factor	XXXXX *
Rate timebase	Seconds, minutes or hours*
Accessories	Please specify if required
Display backlight	Backlight
Scale card	Legend required
	No charge if ordered with counter
Tag	Legend required
Rear cover and sealing kit	BA495
One of following three output options:	
Pulse output	Pulse output
or 4/20mA output	4/20mA output
or Dual alarms	Alarms
Rear cover and sealing kit	BA495

* Counter can be supplied configured as required for no additional charge. If configuration information is not supplied, instrument will be configured for open collector input with total and rate scaling factors of 1.0 and a timebase of seconds. Can easily be reconfigured on-site.