

**BA590 series panel lamps** are solid state panel mounting indicators which offer a high reliability alternative to conventional panel lamps incorporating a filament bulb. Very low current consumption and a ten year life minimise maintenance costs by totally eliminating routine bulb replacement. Each BA590 contains a group of high efficiency light emitting diodes mounted behind a coloured diffuser to produce a bright, uniform output with a typical life greater than ten years. All BA590 models contain a 20mA current regulator which maintains constant brilliance over a wide range of supply voltages.

**Five well defined lamp colours** - red, amber, green, blue and white allow lamps to be selected to comply with the indicator light colours recommended by IEC 73. When not powered, the front of panel coloured diffuser enables the lamp colour to be easily identified.

**IP66 sealing** of the lens and the joint between the lamp and the panel makes the BA590 ideal for

installations in areas that will be hosed, washed or splashed. When environmental protection behind the panel is also required, an optional rear sealing assembly is available.

**Mounting** is via a single industry standard 22.5mm diameter hole. The lamp housing, fixing nut and terminals have a maximum diameter of 30mm which permits a very high packing density on the panel.

**To aid identification** from the rear of the panel, the model number and suffix which identifies the colour are marked on the lamp body close to the terminals.

**Reliability is ensured** by an ISO9001 approved quality control system supported by a three year guarantee.

**If flammable atmospheres are present** the complementary BA390 or BA390S intrinsically safe panel lamps should be used. These have the same features as the BA590 but have been certified for installation in all gas and dust hazardous areas.



# BA590

## LED Panel Lamp

### General purpose

◆ Red, amber, green, blue & white models.

◆ Long life - typically more than 10 years.

◆ Low cost

◆ IP66 front

◆ 22.5mm hole mounting

◆ 3 year guarantee

# BEKA

## associates

Sales & Support Distributor:-  
Stockshed Limited. Stoneycroft  
House,  
Mud Lane, Eversley. Hampshire.  
RG27 0QS. U.K. Tel. (0118)  
9734955  
e-mail [info@stockshed.com](mailto:info@stockshed.com)

## SPECIFICATION

### Power supply

Voltage	14 to 30V dc
Current	18 to 22mA
Reverse voltage	60V max

### Output

Lamp colour	Typical at 150mm
Red	160 lux
Amber	230 lux
Green	230 lux
Blue	530 lux
White	270 lux

### Environmental

Operating temperature	-20 to 60°C
Storage temperature	-40 to 60°C
Humidity	To 95% at 40°C non-condensing
Operating life	Typically 100,000 hours
Enclosure	Front IP66 Rear IP20 - see accessories for optional IP66 rear sealing assembly.
EMC	In accordance with EU Directive 2014/30/EU
Immunity	No degradation of brightness for 10V/m .
Emissions	Electromagnetically benign.

### Mechanical

Terminals	Screw clamp for 1.5mm <sup>2</sup> .
Lens material	Polycarbonate
Lamp body	Nylon 6
Weight	18g

## HOW TO ORDER

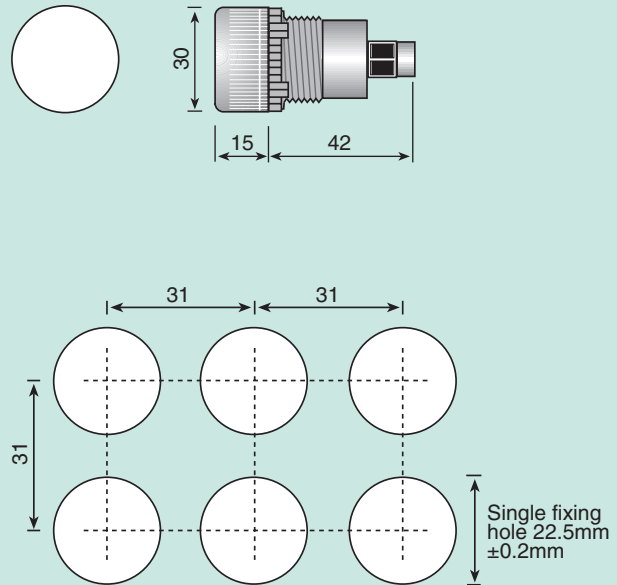
### Lamp colour

Red	<b>Please specify</b> BA590R
Amber	BA590A
Green	BA590G
Blue	BA590B
White	BA590W

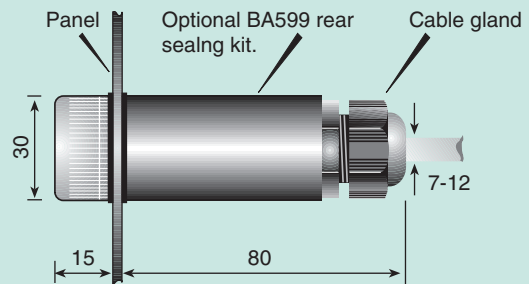
### Accessories

Rear sealing kit	<b>Please specify if required</b> BA599
------------------	--

## DIMENSIONS (mm)



Fixing centres for maximum packing density.  
Special tool may be required to tighten fixing nuts when minimum spacing is used.



## TERMINAL CONNECTIONS

