

ALTAIR V4 DN25/32/40

VOLUMETRIC METER

DIEHL
Metering



APPLICATION

ALTAIR V4 represents the latest generation of volumetric meters developed within the framework of the MID and European standards to meet field requirements.

ALTAIR V4 is a particularly compact and robust meter, adapting to the most restrictive environments and compatible with varying water qualities.

Modular, ALTAIR V4 may be fitted at any time with an IZAR clip-on module converting it into a communicating meter, ready for mobile or fixed network (radio/wired) reading.

FEATURES

- ▶ DN25/32/40
- ▶ $Q_3=6.3 \text{ m}^3/\text{h}$ (DN25/32) and $Q_3=16 \text{ m}^3/\text{h}$ (DN40)
- ▶ MID approval up to $R=800$ (DN25/32) and $R=1,000$ (DN40)
- ▶ Starting flow rate at 1 l/h (DN25/32) and 4 l/h (DN40)
- ▶ Brass body
- ▶ Glass-copper register
- ▶ Compact
- ▶ Installation in any position

ALTAIR V4 DN25/32/40

VOLUMETRIC METER

METROLOGICAL DATA

Nominal diameter	DN	mm	25	32	40
Length*	L	mm	260	260	300
Nominal flow rate	Q ₃	m ³ /h	6.3	6.3	16
R standard*	Q ₃ /Q ₁		160	160	160
Starting flow rate		l/h	1	1	4
Minimum flow rate*	Q ₁	l/h	39.375	39.375	100
Transition flow rate*	Q ₂	l/h	63	63	160
Maximum flow rate	Q ₄	m ³ /h	7.875	7.875	20
Head loss at Q ₃		bar	0.616	0.611	0.630
Head loss at Q ₄		bar	0.962	0.955	0.984
Kvs (deltaP=Q ² /Kvs ²)			8.03	8.06	20.16

* Other values on request.

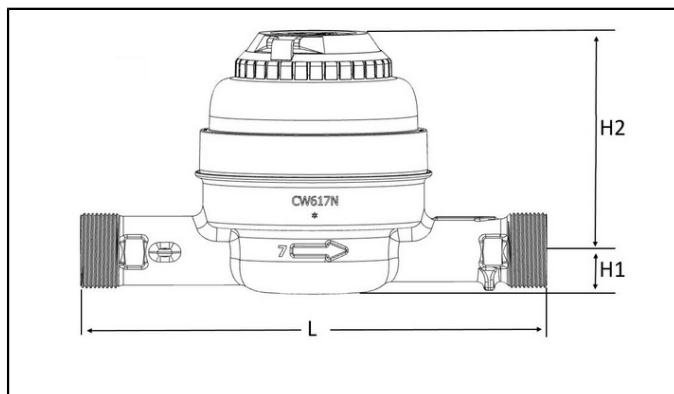
APPROVAL

ALTAIR V4 DN25/32/40	
MID approval	LNE-6250 Type A2
Standards	EN 14154 ISO 4064 OIML R49
Sanitary conformity	ACS Belgaqua KTW WRAS

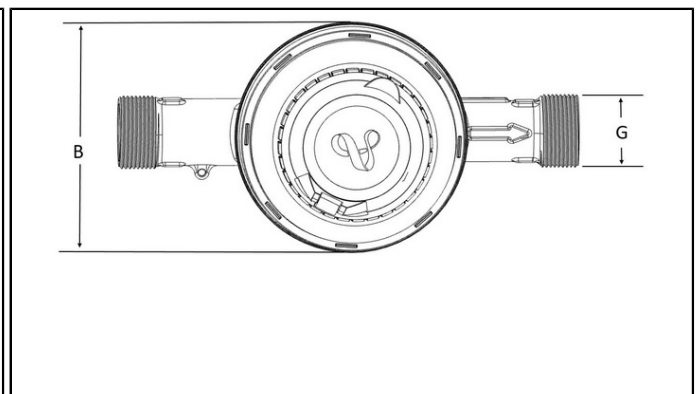
TEMPERATURES AND PRESSURE

ALTAIR V4 DN25/32/40	
Water temperature	°C 0.1 ... +50
Ambient operating temperature	°C +1 ... +55
Storage temperature	°C -10 ... +55
Nominal pressure	PN bar 16

DIMENSIONS



Front view



Top view

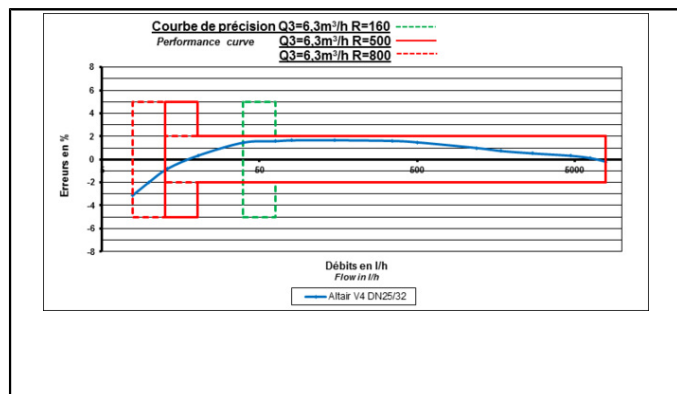
Nominal diameter	DN	mm	25	32	40
Length*	L	mm	260	260	300
Width	B	mm	132	132	179
Height	H1	mm	24.3	24.3	30.5
Height	H2	mm	120.3	120.3	153.5
Thread connections	G	inch	1"1/4	1"1/2	2"
Body			Brass	Brass	Brass
Weight		kg	2.71	2.78	5.44

* Other values on request.

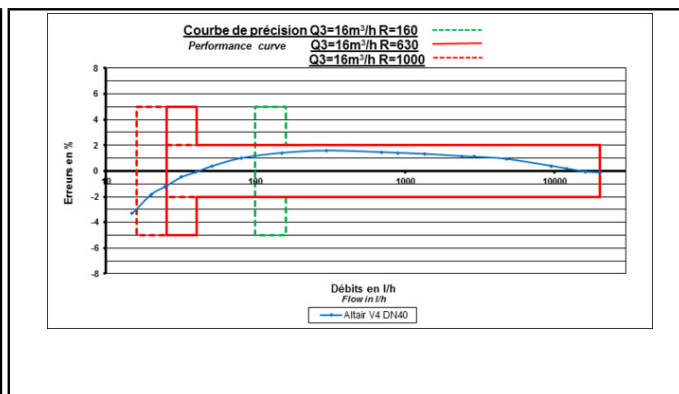
ALTAIR V4 DN25/32/40

VOLUMETRIC METER

PRECISION CURVE



DN25/32



DN40

This technology does not require straight length.

OPTIONS

- Non-return valve
- Pair of connectors